

DOOSAN



PUMA VAW7500 series

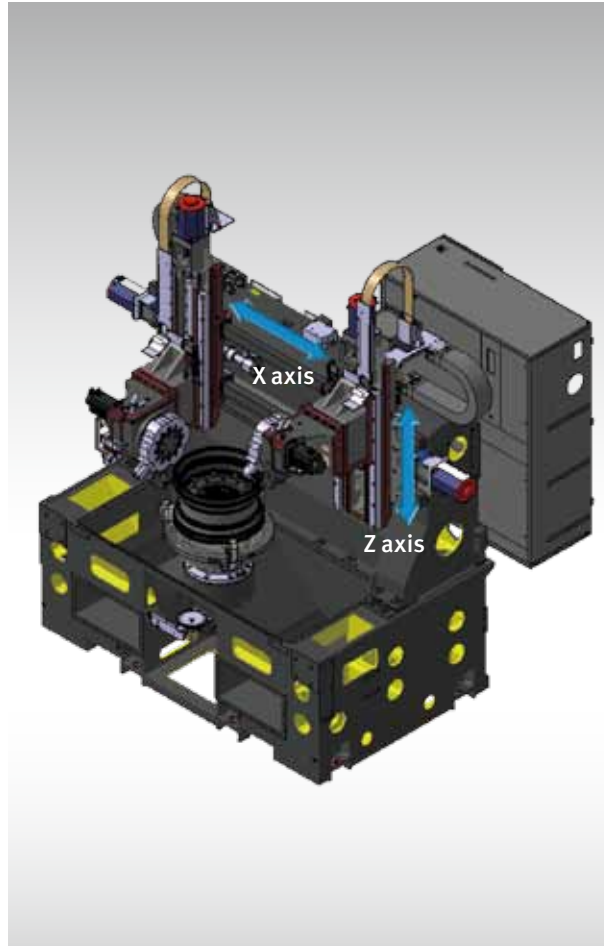
High Productivity 2-Turret Aluminum Wheel
Machining Vertical Turning Center



**MACHINE
GREATNESS™**

Basic Structure

The PUMA VAW7500 Series maximizes wheel machining productivity with twin powerful turrets. With an ability to maintain the high cutting capacity of the preceding models, its machining performance has been greatly enhanced.



For seamless integration with process automation, the new, improved top slide cover allows easy entrance of robot and gantry.

Travel Distance / Rapid Traverse

X axis

500 mm (19.7 inch)
24 m/min (944.9 ipm)

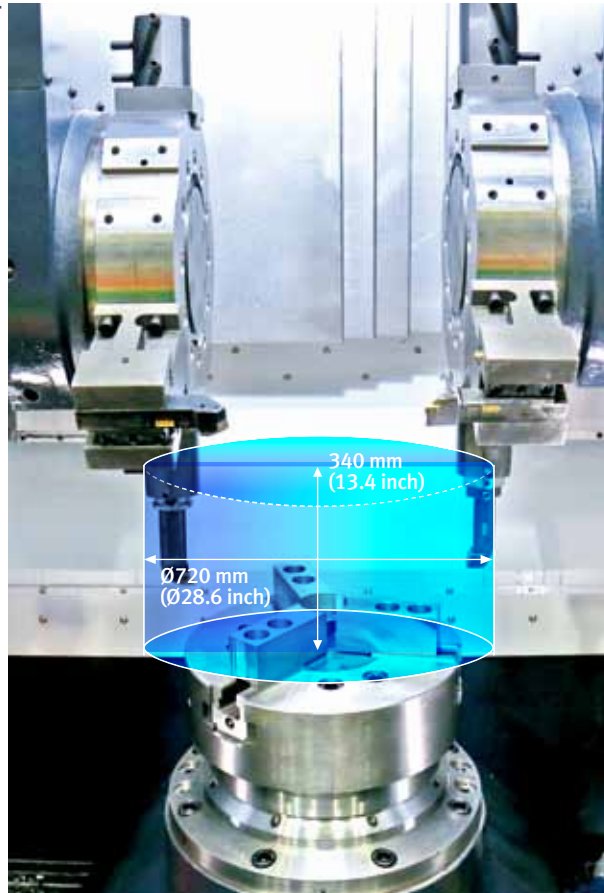
Z axis

500 mm (19.7 inch)
20 m/min (787.4 ipm)

Wheel Size

27.5 inch

Machining Area



Max. Turning Diameter

Ø 720 mm
(Ø 28.6 inch)

Max. Turning Height

340 mm
(13.4 inch)

Spindle

With its powerful torque and power of the same class in addition to further stabilized spindle structure, the Series provides highest machining performance.



Max. Speed

2000 r/min

Max. Power (30 min/cont.)

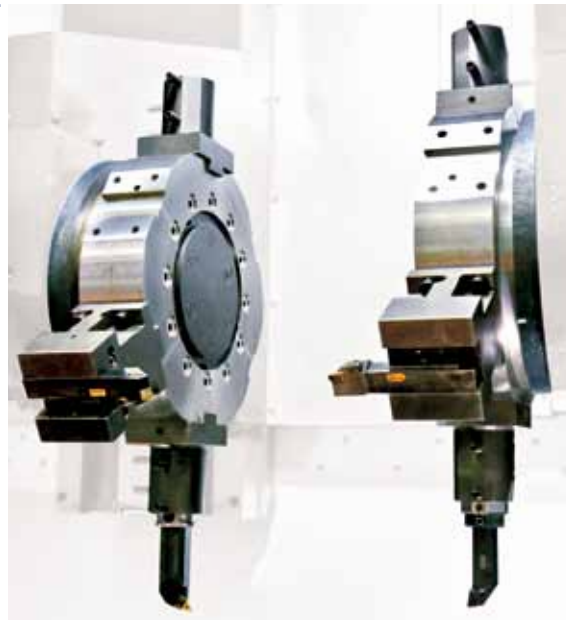
55/45 kW
(73.8/60.3 Hp)

Max. Torque

684.5 N·m
(505.2 ft-lbs)

Turret

The turrets specialized for processing aluminum wheels offer excellent cutting capacity and reliability.



No. of Tool Posts

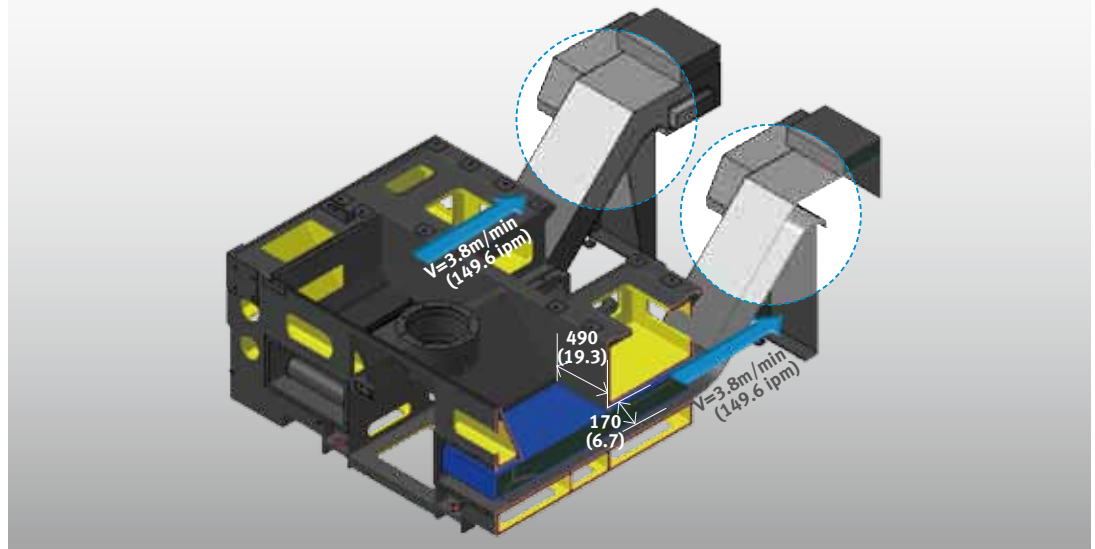
6+6 Faces

1 Station Indexing Time

1.2 sec.

Chip Disposal

Chip disposal rate has been increased by double for easy adaptation to line automation and user convenience.



Major Specifications

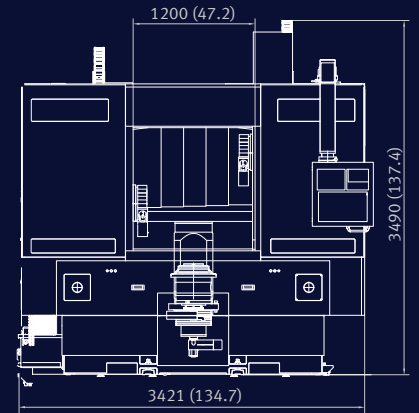
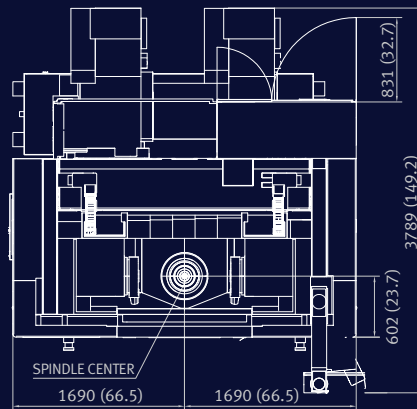
PUMA VAW7500 series



Description	Unit	PUMA VAW7500
Max. turning diameter	mm (inch)	Ø 720 (Ø 28.3)
Recommended turning dia.	inch	22.5
Rapid traverse (X / Z-axis)	m/min (ipm)	24 / 20 (944.9 / 787.4)
Max. Spindle speed	r/min	2000
Spindle motor power (30min/cont.)	kW (Hp)	55/45 (73.8 / 60.3)
Machine dimensions (L x W)	mm (inch)	3380 x 2899 (133.1 x 114.1)

Machine Dimensions

Unit : mm (inch)



Doosan Machine Tools

www.doosanmachinetools.com

www.facebook.com/doosanmachinetools

www.youtube.com/c/DoosanMachineToolsCorporation

Head Office

22FT Tower, 30, Sowol-ro 2-gil, Jung-gu,

Seoul, Korea, 04637

Tel +82-2-6972-0370 / 0350

Fax +82-2-6972-0400

Doosan Machine Tools America

19A Chapin Rd., Pine Brook, NJ 07058,
U.S.A.

Tel +1-973-618-2500

Fax +1-973-618-2501

Doosan Machine Tools India

106 / 10-11-12, Amruthahalli,
Byatarayanapura, Bellary road, Bangalore-560

092, India

Tel +91-80-4266-0122 / 121 / 100

Doosan Machine Tools Europe

Emdener Strasse 24, D-41540 Dormagen,
Germany

Tel +49-2133-5067-100

Fax +49-2133-5067-111

Doosan Machine Tools China

Room 101,201,301, Building 39 Xinzhuan
Highway No.258 Songjiang District, China

Shanghai(201612)

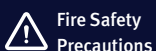
Tel +86-21-5445-1155

Fax +86-21-6405-1472

* For more details, please contact Doosan Machine Tools.

* The specifications and information above-mentioned may be changed without prior notice.

* Doosan Machine Tools Co., Ltd. is a subsidiary of MBK Partners. The trademark **DOOSAN** is used under a licensing agreement with Doosan Corporation, the registered trademark holder.



**Fire Safety
Precautions**

There is a high risk of fire when using non-water-soluble cutting fluids, processing flammable materials, neglecting use coolants and modifying the machine without the consent of the manufacturer. Please check the SAFETY GUIDANCE carefully before using the machine.

ver. EN 180701 SU